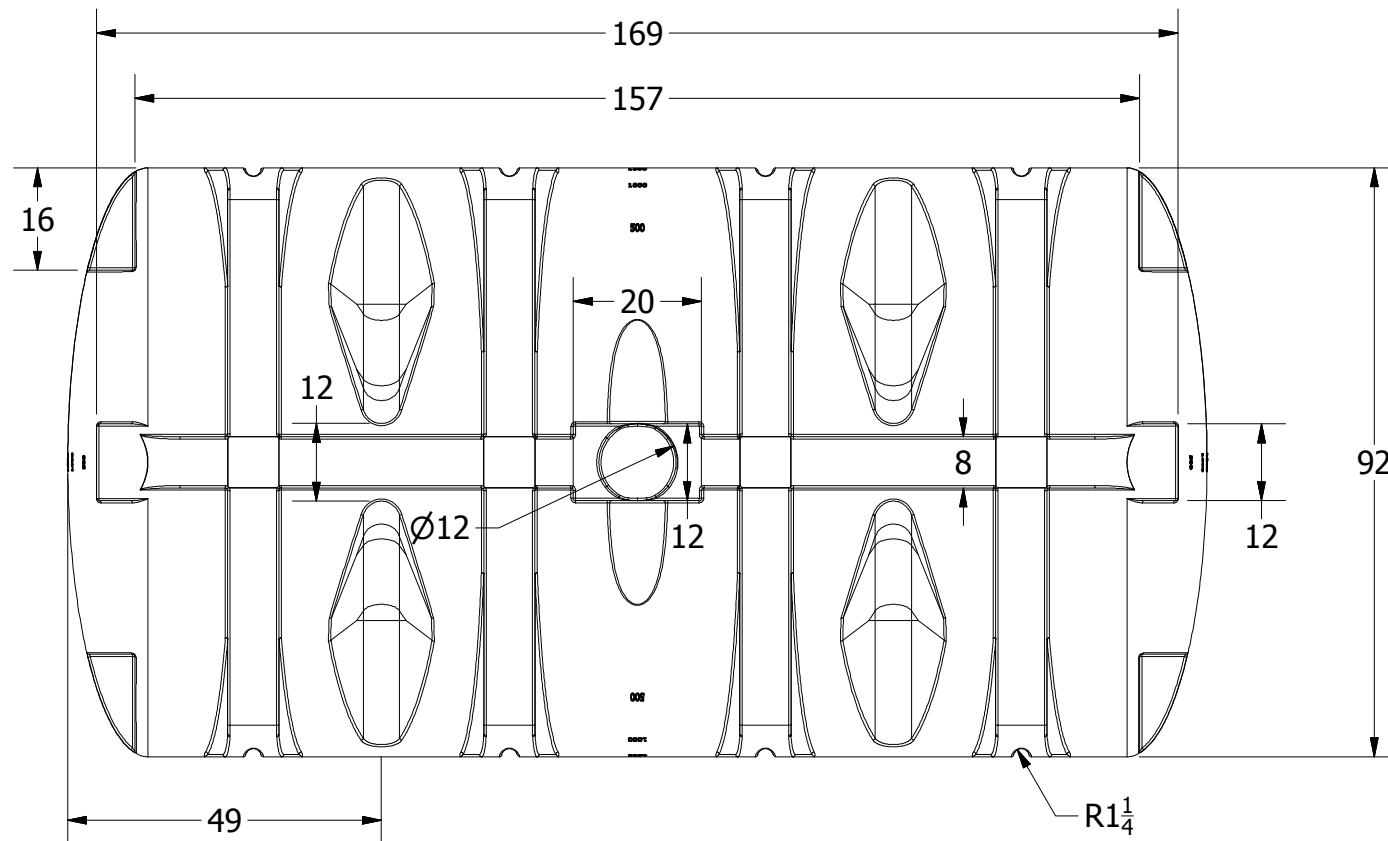
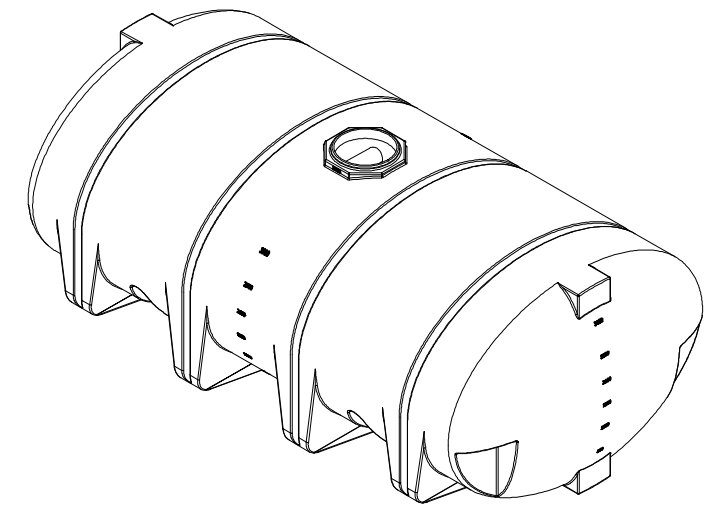

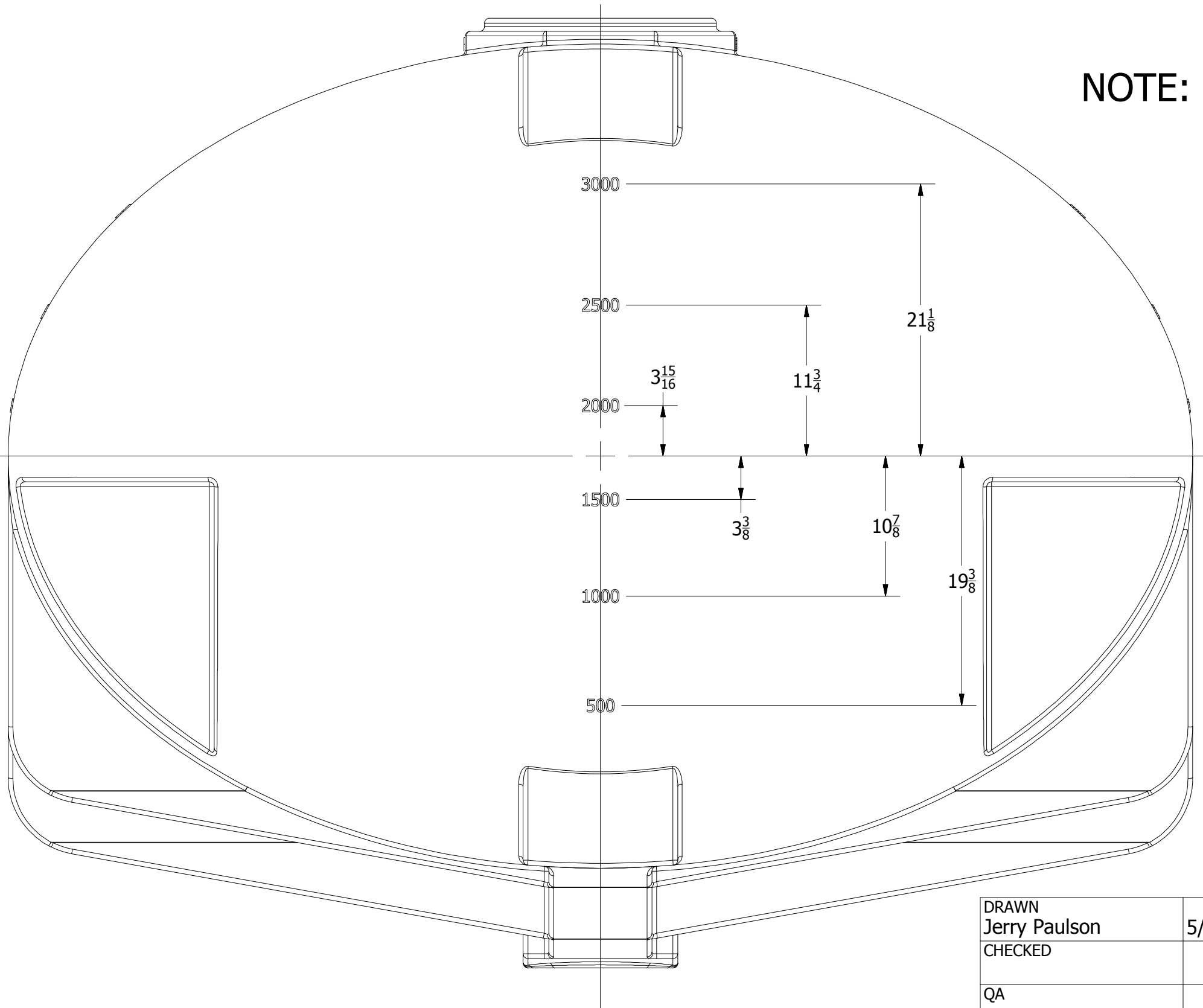


SECTION A-A
SCALE 1:8




REVISION HISTORY			
REV	DESCRIPTION	DATE	AUTHOR
A	REDRAWN	7/30/2013	Michael Holden
DRAWN	Jerry Paulson	5/7/1999	 NORWESCO, INC. SAINT BONIFACIUS, MN TITLE 3210 GALLON ELLIPTICAL DRAINABLE LEG TANK
CHECKED			
QA			
MFG			
APPROVED			
	SIZE	DWG NO	REV
	B		A
	SCALE: 1/16		SHEET 1 OF 2

NOTE: GALLON MARKINGS ARE ON BOTH ENDS AND BOTH SIDES



DRAWN Jerry Paulson	5/7/1999
CHECKED	
QA	
MFG	
APPROVED	

	
NORWESCO, INC. SAINT BONIFACIUS, MN TITLE	
3210 GALLON ELLIPTICAL DRAINABLE LEG TANK	
SIZE B	DWG NO
SCALE: 1/16	SHEET 2 OF 2

REV
A